



Main Features:-

- ◆ Screwed BSPP
- ◆ Opening Pressure 0.02 Bar
- ◆ Rated PN16 1/4" to 1", PN10 1 1/4" to 2", PN8 2 1/2" to 4"
- ◆ Temperature -10°C to 110°C

*Temperature and pressure determined by valve body, seat etc.



Suitable Applications & Approvals:



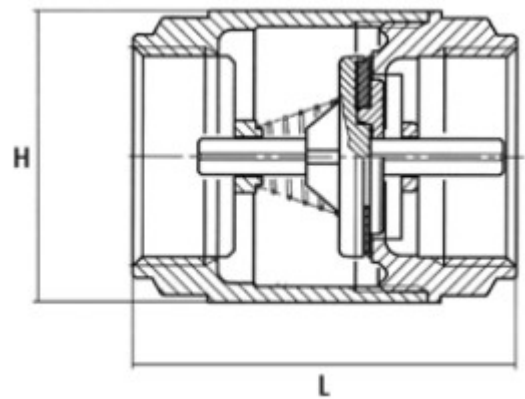
SERIES: 30014

MANUFACTURER: **AVOL**
INDUSTRIAL VALVES

Name Materials

| | |
|--------|----------|
| Body | Brass |
| Seat | NBR |
| Spring | AISI 302 |

| Size | H | L | Kg |
|--------|-------|-----|------|
| 1/4" | 28 | 45 | 0.1 |
| 3/8" | 30 | 43 | 0.14 |
| 1/2" | 34 | 46 | 0.13 |
| 3/4" | 41 | 50 | 0.19 |
| 1" | 47.5 | 56 | 0.24 |
| 1 1/4" | 55.5 | 62 | 0.35 |
| 1 1/2" | 67.5 | 66 | 0.53 |
| 2" | 81 | 74 | 0.75 |
| 2 1/2" | 102.5 | 93 | 1.69 |
| 3" | 112 | 98 | 1.98 |
| 4" | 142.5 | 108 | 3.69 |



VALVE DIMENSIONS

ALL VALVES ONLINE

Offering a full range of actuated valve packages, manual valve range, pipe fittings and pumps, we have a product for all your requirements. As an ISO 9001-2015 Quality Approved and certified company, All Valves offer a quality service from pre-sale to post sale. Shipping millions of pounds in value of manual valve and actuated valve packages all over the world since its formation, All Valves are a trusted valve and actuator supplier to many companies all over the world. Working with the leading brands in most industries.



T +44 (0)1386 552369

E sales@allvalves.co.uk

W www.allvalves.co.uk

F +44 (0)1386 554227